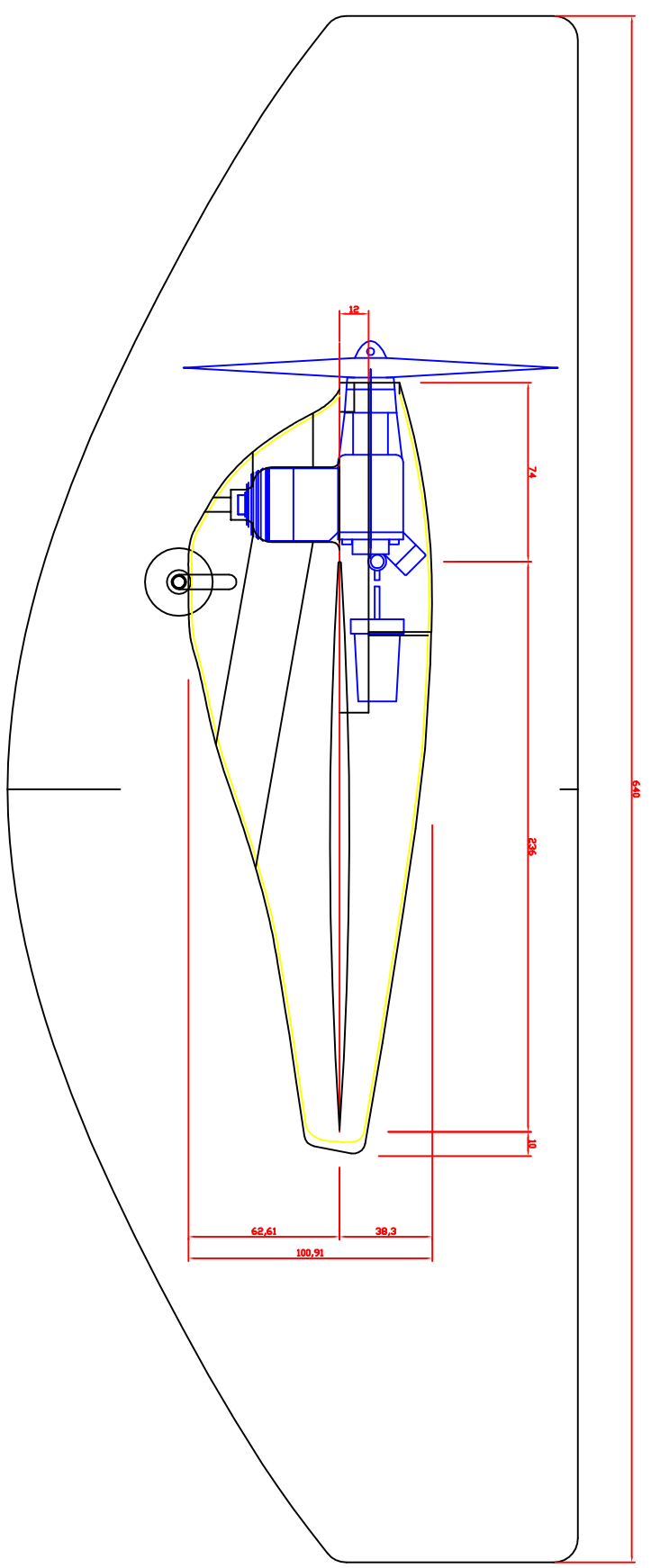


REV / CHANGE NOTICE	DATE	REVISION DESCRIPTION / REASON	APPROVED BY	DRAWN
	09/09/00	NEW DRAWING ISSUED	GPH	

DRAWING CHANGES
 APPROVED BY: GPH
 DRAWN: GPH



SIMONS/POTTER

QTY	UNITS	PART NUMBER	DESCRIPTION	MATERIAL SPECIFICATION	ITCM
			PARTS LIST		

PROTECTIVE TREATMENT	UNLESS OTHERWISE SPECIFIED	DESIGNED	TITLE
WELDING	CONCENTRICITY WITHIN	24/05/01	2010 WORLD CHAMPS F2C
	Symmetry WITHIN	24/05/01	
	PERPENDICULARITY	ENG CHK	
	BREAK SHARP EDGES	PROJECT	
	CORNER FILET ROUNDS	SCALE	

TITLE
 2010 WORLD CHAMPS F2C

RELATED DRAWINGS	MARK PART No. IN REGION MARKED	ALL DIMENSIONS IN MILLIMETERS U.N.O.	Drawing Number	Sheet	d	Rev.
			000	1	1	1

RELATED DATA	Third Angle Projection AS 1100	Welding Symbols	ANGLES WITHIN	MACHINED SURFACE FINISH

1	2	3	4	5	6	7	8	9	10	11	12
---	---	---	---	---	---	---	---	---	----	----	----